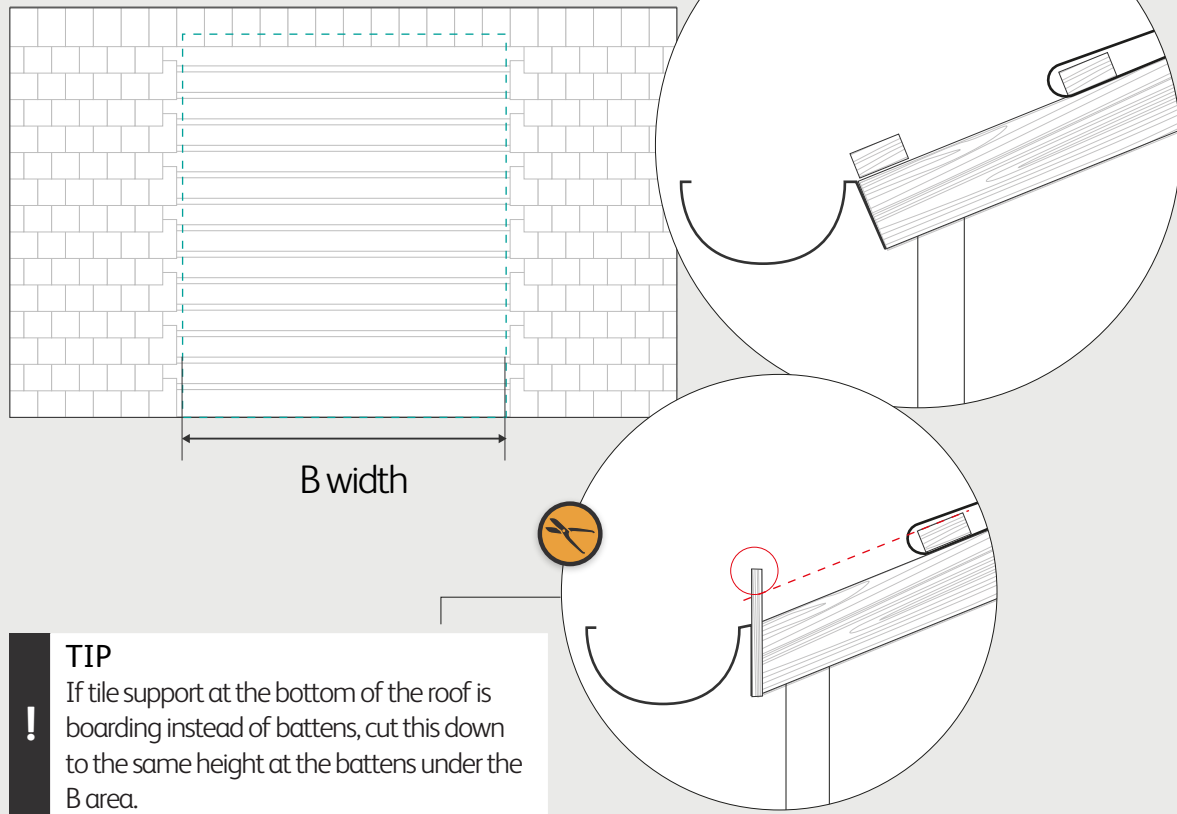


Continued from side 1

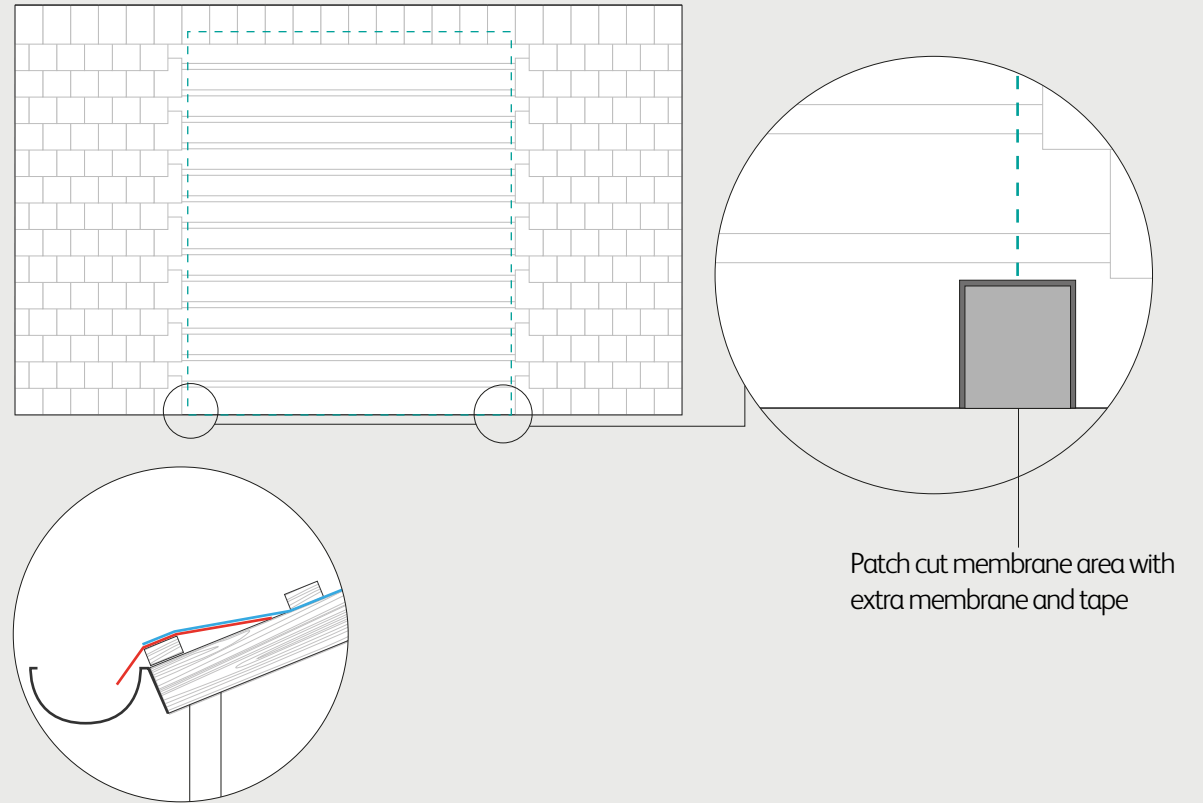
- 6** Cut and remove membrane support tray and batten within B area



TIP

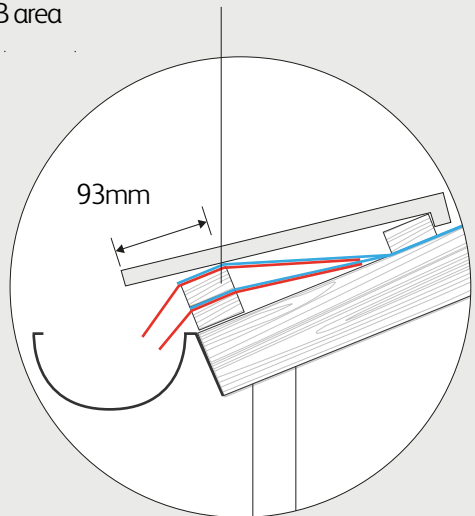
! If tile support at the bottom of the roof is boarding instead of battens, cut this down to the same height at the battens under the B area.

- 7** Replace membrane support tray under B area, tack membrane back down and patch cut membrane



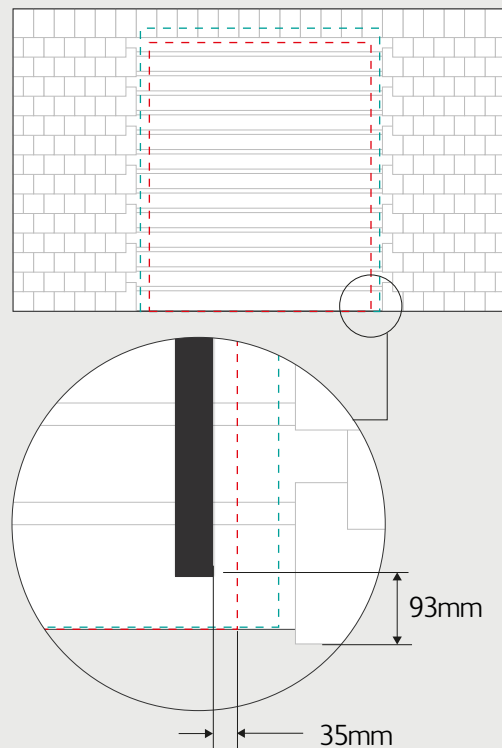
- 8** Set the bottom datum

Double batten still present under tiles, not present in B area



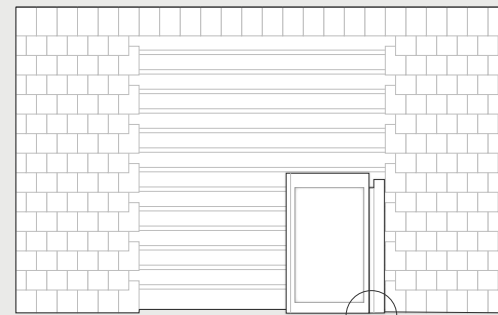
Measure up from tile overhang by 93mm and mark position

- 9** Install starter rail
(see pages 19 - 26 of installer guide for more detail)

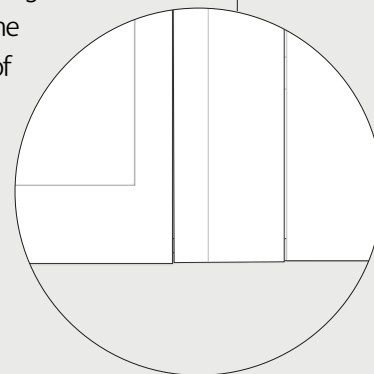


Position starter rail 35mm inwards of A line and in line with bottom datum

- 10** Install first right perimeter and module

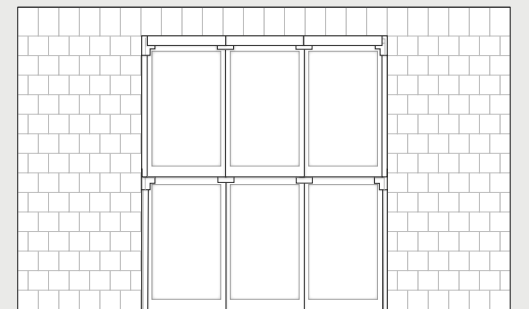


Modules should align with the bottom of the bottom course of tiles



(see pages 27 - 33 of installer guide for more detail)

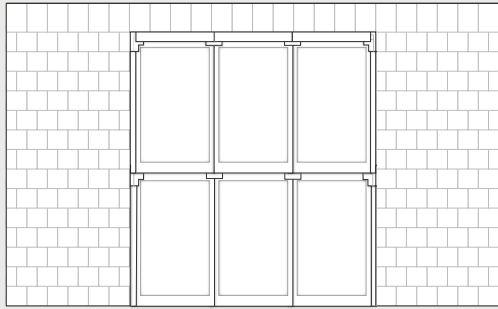
- 11** Fit next module and follow the manual for steps on how to install the rest of the system
(see page 34 onwards of the installer guide)



Introduction

This guide is intended to be used in conjunction with the main Sunstation installer guide to provide additional information on how to install Sunstation without a bottom course of tiles leading into a gutter on a rafter and batten roof construction.*

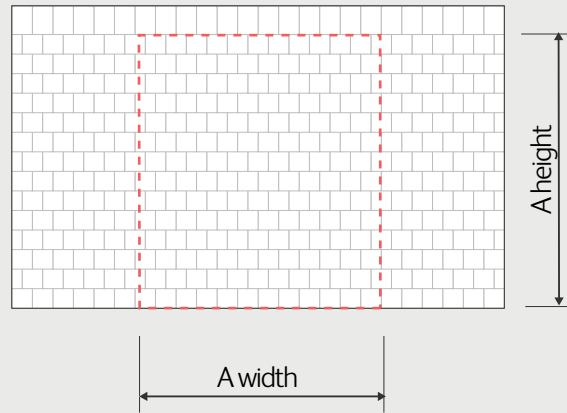
Please read the main installer guide fully before installing any Sunstation array.**



*This document is intended to be used with a rafter and batten type roof construction only

**This document references page numbers in Sunstation manual 17392-01

1 Measure roof and mark out position of array



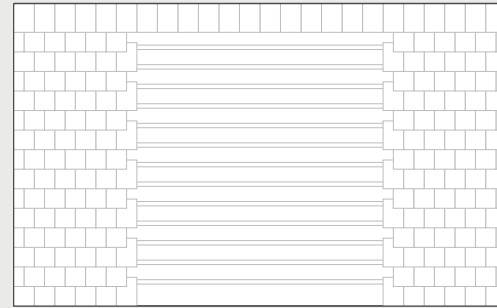
Decide on the approximate position of the array, consider installation limitations in installer guide (pages i-vii).



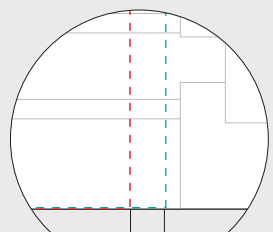
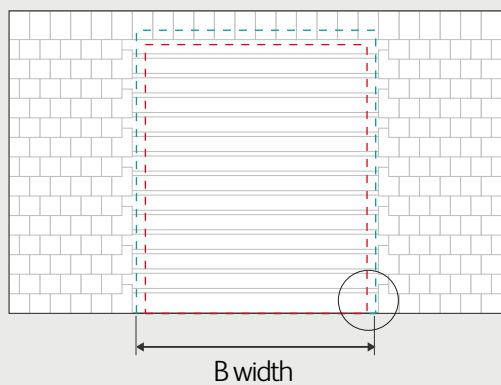
(see pages 1-7 of installer guide for more detail)

2 Remove tiles down to the gutter

(see pages 8-10 of installer guide for more information)



3 Measure and mark the B width across the bottom of the roof

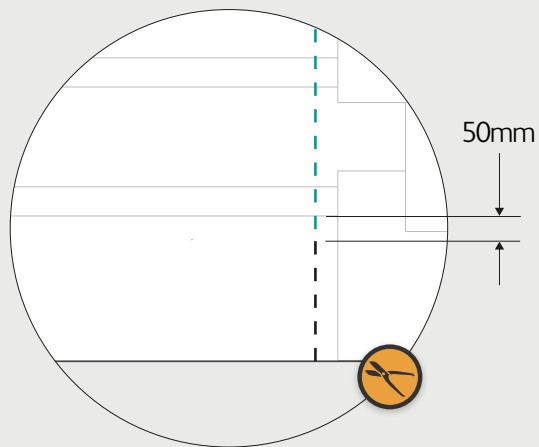


'B' dimensions are marked with a dotted green line



4 Cut the membrane

Cut both sides of the membrane at the B width.

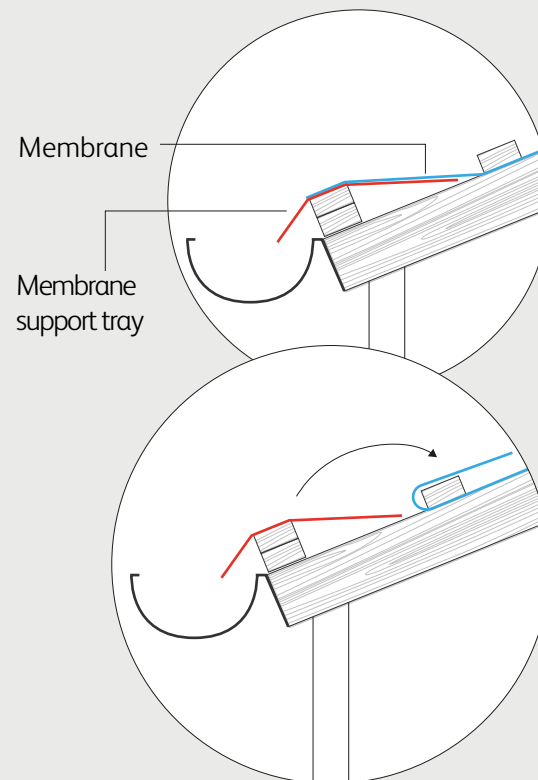


Ensure at least a 50mm gap between top of the cuts and the batten above.

Ensure that the cut is high enough to gain full access to the membrane support tray*. If batten spacing is small temporarily remove battens to allow access.

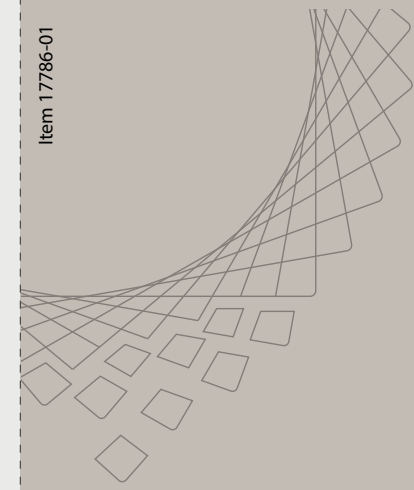
*If there is no membrane support tray ensure that one is installed under the B area of the array in **step 7**

5 Detach B area membrane from bottom batten and fold upwards



Continued on reverse

Item 17786-01



Sunstation
Installer
Guide
Gutter extension

www.gosunstation.com

sunstation@solarcentury.com

+44 (0)20 7549 1000

solarcentury

50 Great Sutton Street
London EC1V 0DF
United Kingdom

www.solarcentury.com